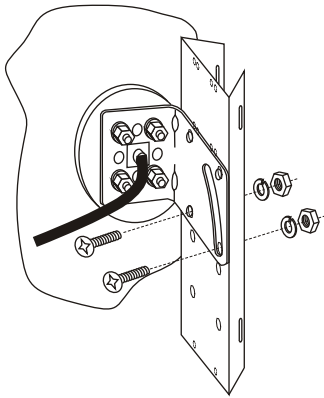


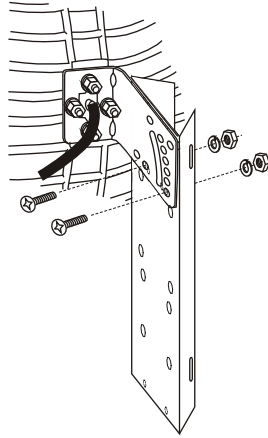
**EXAMPLES OF ANTENNA MOUNTING USING POLE MOUNT
(FOR 3" AND LARGER DIAMETER POLE)**

POLE MOUNT COMPONENTS:---

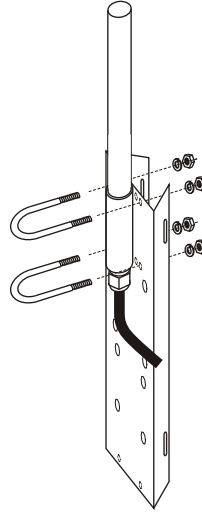
- (1) Pole Mount
- (2) 1/4-20 Screw (X4)
- (3) 1/4-20 Nut (X4)
- (4) 1/4 Lock Washer (X4)



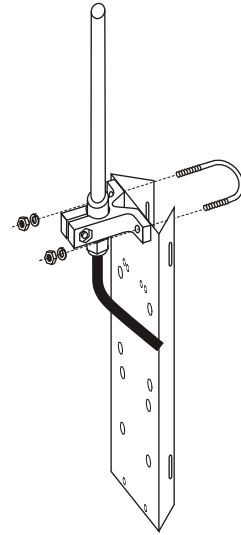
Antenna: AH-82
(Middle Hole Group)



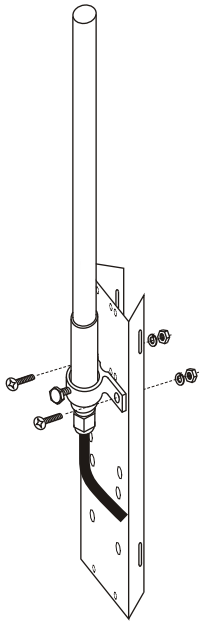
Antenna: AH-70, AH-65,
AH-81, AH-83, etc.
(Upper Hole Group)



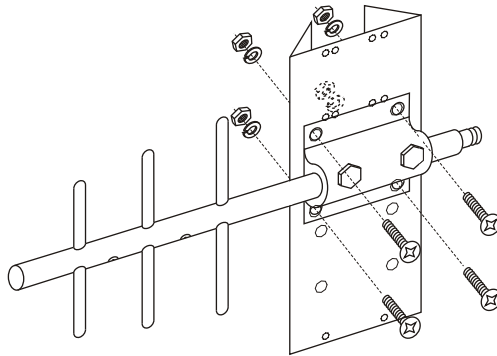
Antenna: AS-5,
AS-13, AS-19, etc.
(Upper Hole Group)



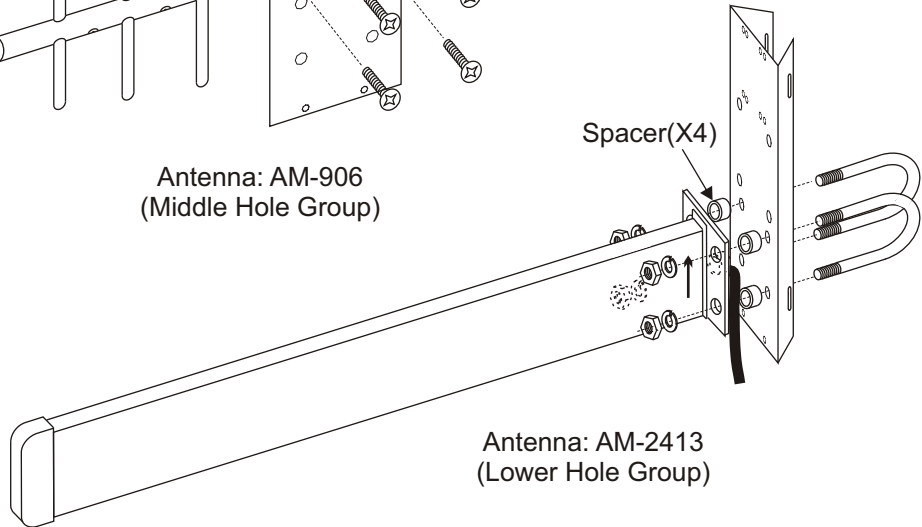
Antenna: AS-6
(Upper Hole Group)



Antenna: AM-903
(Middle Hole Group)



Antenna: AM-906
(Middle Hole Group)



Antenna: AM-2413
(Lower Hole Group)

Spacer(X4)