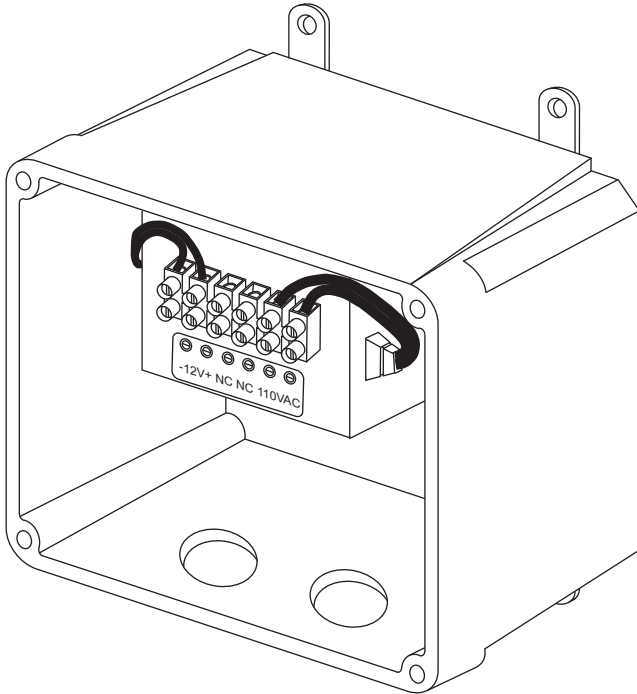
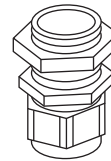


110 VAC & 24 VAC POWER SUPPLY KITS



110VAC/12VDC POWER SUPPLY KIT
P/N: 7400070A00



CORD GRIP



HOLE PLUG

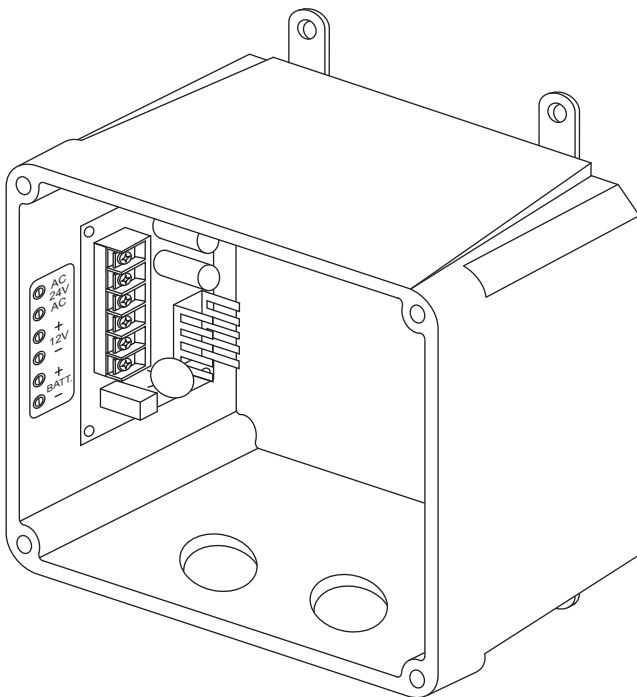
SUPPLIED HARDWARE

Use the supplied cord grip to secure wires to the enclosure or use one of the holes to run conduit to the supply line if necessary. Use the hole plug to fill the unused hole. To supply the DC voltage to the Air Guard enclosures, use twisted pair cable of the right size or larger for the distance as given in the table below.

MAXIMUM CABLE LENGTH Vs WIRE SIZE

WIRE SIZE	NO HEATER	WITH HEATER
16 AWG	500 Ft.	175 Ft.
18 AWG	320 Ft.	100 Ft.
20 AWG	200 Ft.	65 Ft.
22 AWG	125 Ft.	40 Ft.
24 AWG	80 Ft.	25 Ft.

NOTE: Use twisted pair cable for long run to avoid the pickup of electromagnetic field. The transformer/adaptor used in the 110 VAC/12 VDC Power Supply Kit is protected by an internal fuse. Any short circuit at the output, even for a very brief moment, will blow the fuse. Please take precaution during wiring. Do not apply power until all the connections were done.



24VAC/12VDC POWER SUPPLY KIT
P/N: 7400071A00