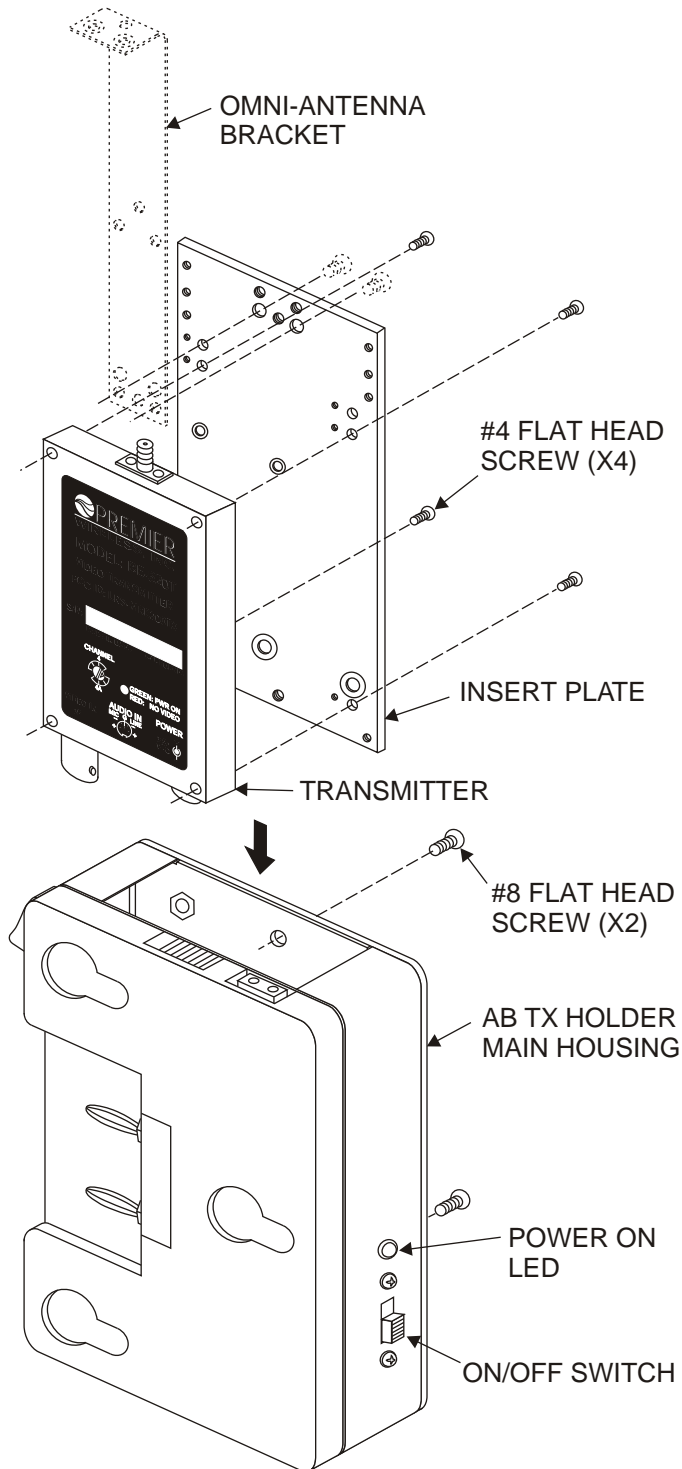


**NEW AB TRANSMITTER HOLDER**  
P/N: 700084C00



The New AB Transmitter Holder is primarily designed for the new series of small transmitters which are 2 inches wide. This includes high and low power models in the 2.4 GHz and the 1.8 GHz bands. The older transmitters will not fit inside the holder.

**ASSEMBLY PROCEDURE:**

1. Remove the INSERT PLATE from the MAIN HOUSING by removing the two #8 Flat Head screws from the back of the MAIN HOUSING.
2. Mount the transmitter on the PLATE using the #4 Flat Head screws from the backside.
3. Mount the Omni-Antenna Bracket (if used) on the PLATE. Please note that the lower T-shaped piece from the original Omni-Antenna Support Kit is not required.
4. Attach the antenna and its cable so that the whole assembly is supported by the PLATE.
5. Insert the assembly into the MAIN HOUSING taking care to align the coaxial plug on the bottom side of the housing with the power jack on the transmitter.
6. Secure the assembly to the MAIN HOUSING with the two #8 Flat Head screws.

**NOTE:** The INSERT PLATE can be used alone for mounting onto NP-1 battery. It has the four hole pattern, when used with flat head metric screws, will enable the whole transmitter assembly to be mounted on the NP-1 battery or similar gear. Front mounting of the transmitter module may be necessary. This requires four #2-56 X 1 inch long screws.

**PARTS INCLUDED:**

- 1X Holder Main Housing
- 1X Insert Plate
- 4X #4-40 X 1/4" Flat Head Screw
- 2X #8-32 X 3/8" Flat Head Screw