

## AH-81, AH-83 ANTENNA ASSEMBLY

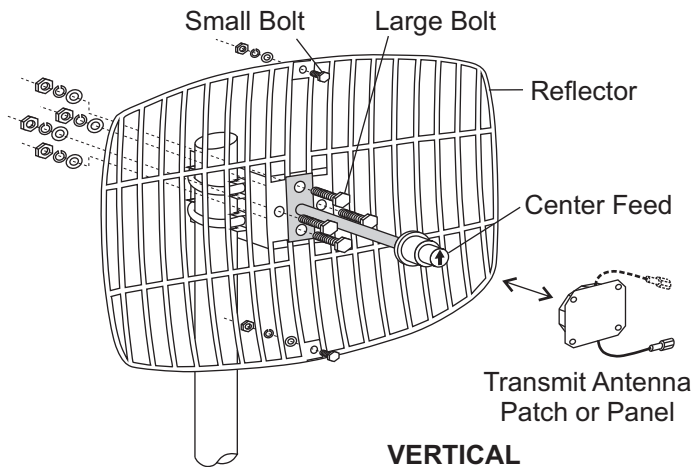


Figure 1

**VERTICAL  
POLARITY**

**Note: Mounting flange of Center Feed must be parallel to reflector grid in both polarities.**

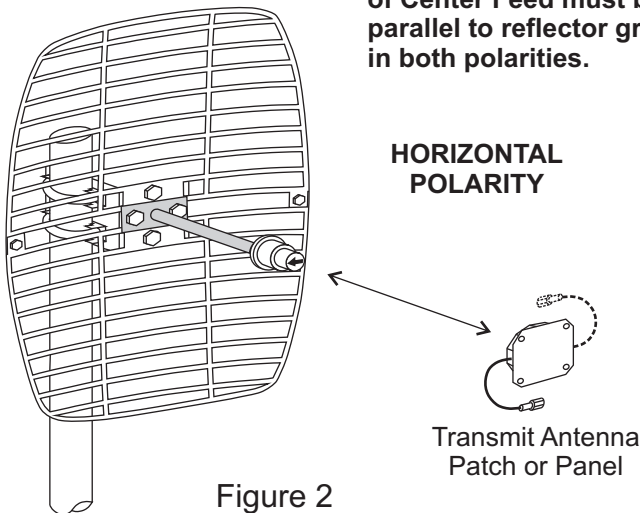


Figure 2

**HORIZONTAL  
POLARITY**

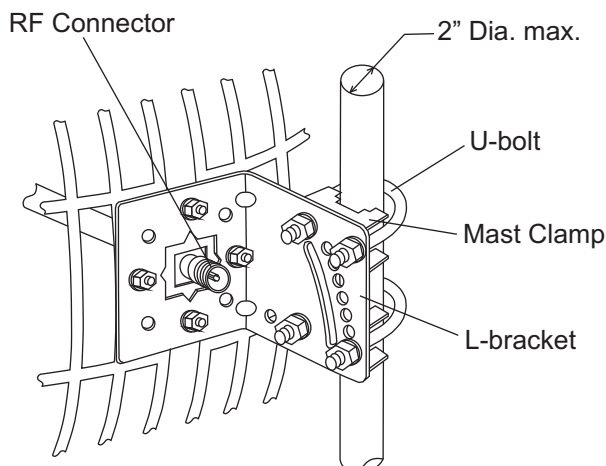


Figure 3

### **! WARNING ! INSTALLATION OF ANTENNA NEAR POWER LINES IS DANGEROUS**

1. Assemble the two reflector halves using the small bolts, flat & lock washers and nuts (2 required for AH-83, 4 for AH-81; Figure 1, AH-83 shown).

2. Determine the polarity of the antenna by referring to Fig. 1 for vertical polarity or Fig. 2 for horizontal polarity. Attach the center feed to the front and the L-bracket to the back of the reflector using the 4 large bolts, flat & lock washers and nuts. Pay attention to the mounting flange of the center feed, which has to be parallel to the grid of the reflector. When changing the polarity of the antenna, remove the 4 large bolts then rotate the center feed and the reflector together 90° around the feed hole on the L-bracket. Reinstall the 4 bolts.

3. Fasten the antenna onto the mast with the 2 U-bolts, mast clamps, flat & lock washers and nuts (Fig. 3).

4. If vertical tilt of the antenna is required, use only one mast clamp and U-bolt with the fixed tilt holes which provide elevation in 10° increments. (Not recommended under high wind conditions.) For continuous tilt adjustment, use the slot to secure the antenna to the desired elevation (Fig. 4).

5. Attach the 6 ft. cable to the connector on the back of the center feed and seal all connector junctions with electrical tape to prevent water entry.

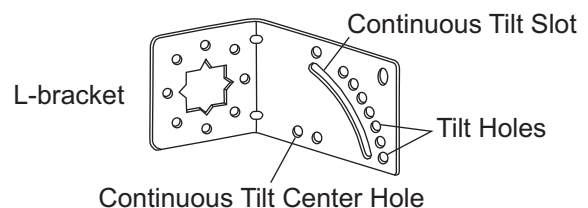


Figure 4