

AH-70, AH-74 INSTALLATION

WARNING: INSTALLATION OF ANTENNA NEAR POWER LINES IS DANGEROUS.

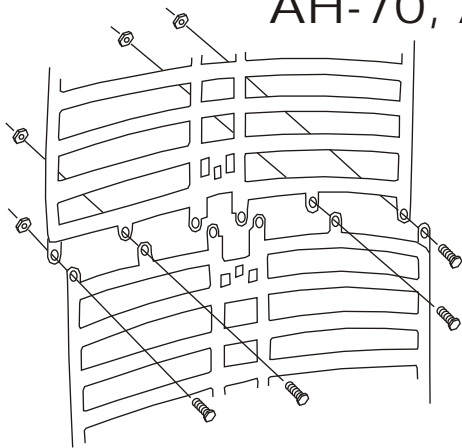


Figure 1

- (2) Reflector halves
- (1) Feed assembly
- (1) Sub-reflector
- (1) Mounting "L" shape bracket
- (4) Keps nuts
- (4) #8-32 Machine screws
- (2) Stainless U-bolt
- (2) Mast clamps
- (1) #6 x 1/2" stainless screw
- (8) Stainless nuts
- (8) Stainless lock washers
- (4) Stainless carriage bolts
- (1) Stainless flat plate washer
- (1) Type-N to SMA adapter

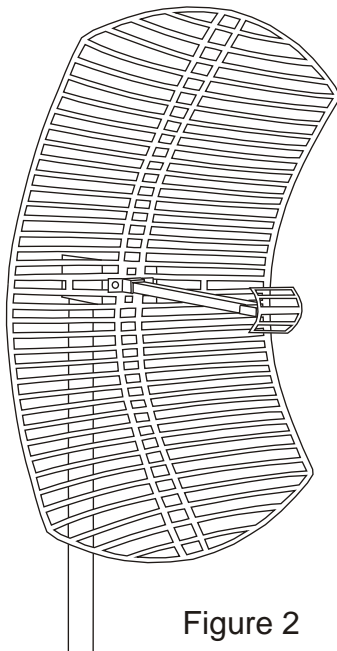
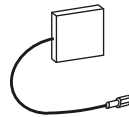


Figure 2

HORIZONTAL POLARITY

Transmit Antenna Patch or Panel



Dipole

Transmitter

ASSEMBLY

Note: Loosely tighten all hardware until completely assembled and then tighten securely.

1. Assemble the two halves inserting the 4 #8-32 machine screws through the front. Secure with the keps nuts on the back. (Figure 1)
2. Place the sub-reflector on the front of the feed and secure with the #6 x 1/2" stainless screw. (Figure 4)
3. Determine the polarity of the antenna by referring to Fig. 2 for horizontal polarity or Fig. 3 for vertical polarity. **Please note that the grid of the sub-reflector should be in parallel with the main grid.**

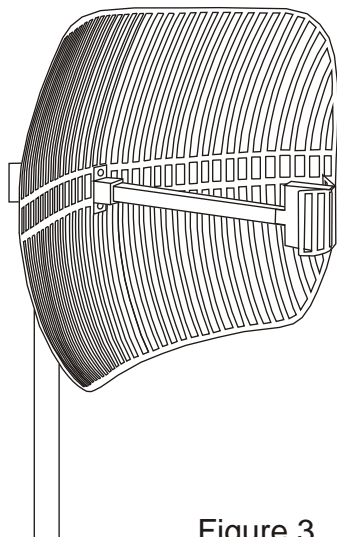
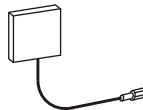


Figure 3

VERTICAL POLARITY

Transmit Antenna Patch or Panel



Dipole

Transmitter

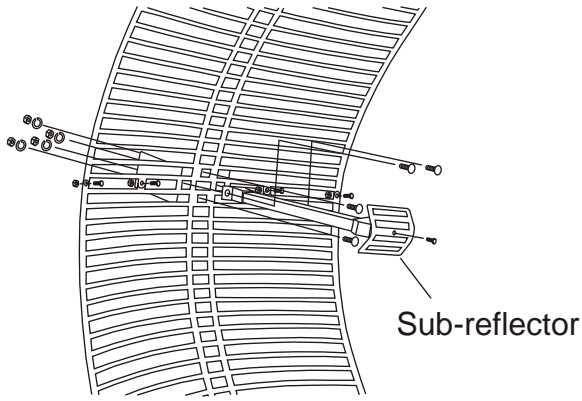


Figure 4

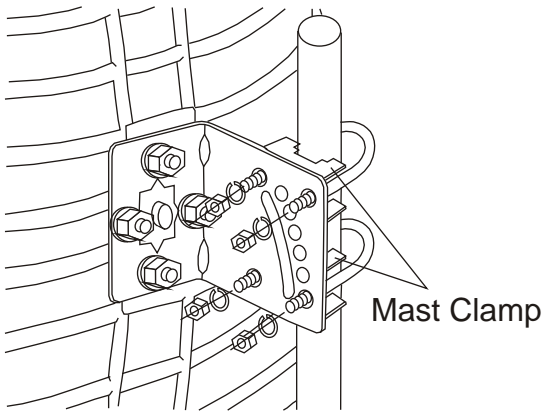


Figure 5

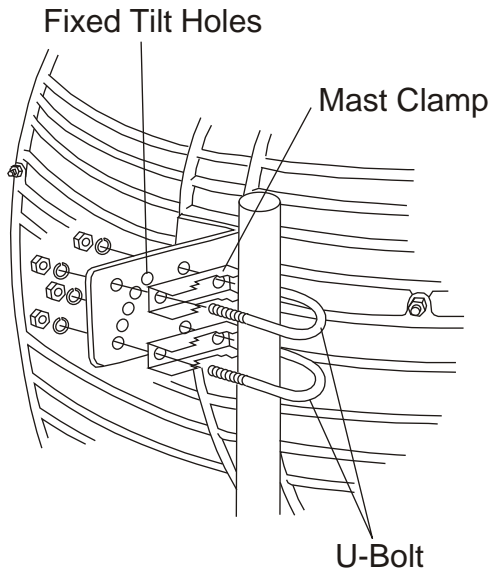


Figure 6

4. Place the "L" bracket on the back of the antenna. Insert 2 of the 4 carriage bolts from the front to attach. (Fig. 4) Secure on the back with the lock washers and nuts.
5. Re-check the dipole feed assembly for the proper polarity. (Fig. 2 & 3) The dipole feed should be parallel to the antenna grid when mounted in place.
6. Pull the coax through the antenna and the "L" bracket opening. Attach the feed on the front with the other 2 carriage bolts. Secure on the back with the lock washers and nuts. (Fig. 4)
7. Place the 2 mast clamps on the 2 U-bolts. (Fig. 6) Fasten the U-bolts on the "L" bracket with the 4 lock washers and nuts. (Fig. 5)

Note: By eliminating 1 mast clamp and U-bolt, the optional fixed tilt holes provide elevation in 10° increments. (Not recommended under high wind conditions.) (Fig. 5) For continuous tilt adjustment use the flat plate washer on the adjustable slot to secure the antenna to the required elevation. (Fig. 7)

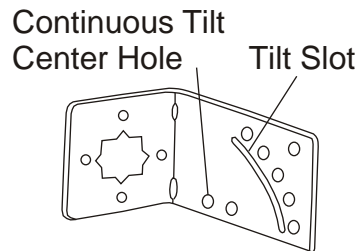


Figure 7