

# AH-65, AH-72 INSTALLATION

- |                               |                                  |
|-------------------------------|----------------------------------|
| (1) Reflector                 | (1) Mounting "L" shape bracket   |
| (1) Feed Assembly             | (1) Stainless U-bolt 1/4-20 x 2" |
| (1) Sub-reflector             | (4) Stainless 1/4-20 Hex nuts    |
| (1) Mast clamp                | (4) Stainless 1/4" lock washers  |
| (1) #6 x 1/2" stainless screw | (2) Stainless carriage bolts     |
| (1) Type-N to SMA adapter     | (1) Stainless flat plate washer  |

**WARNING: INSTALLATION OF ANTENNA NEAR POWER LINES IS DANGEROUS.**

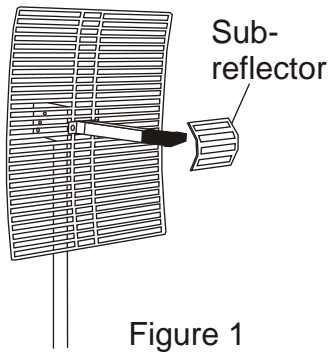


Figure 1

## ASSEMBLY

- Place the sub-reflector on the front of the feed and secure with the #6 x 1/2" stainless screw. (Fig. 1)
- Determine the polarity of the antenna. (Fig. 2 & 3)

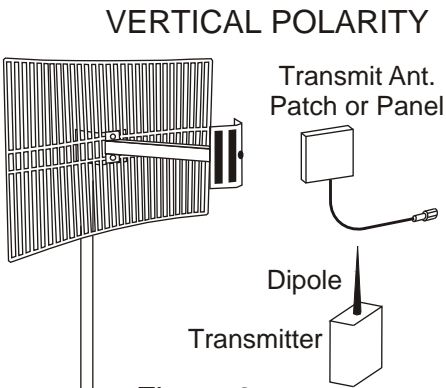


Figure 2

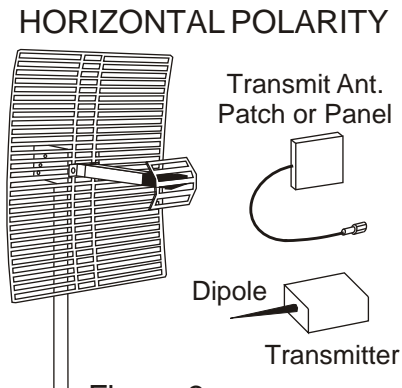


Figure 3

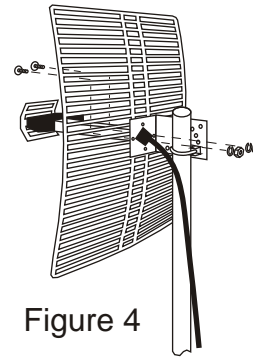
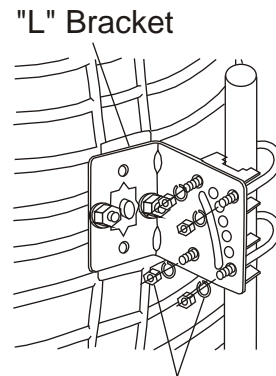


Figure 4

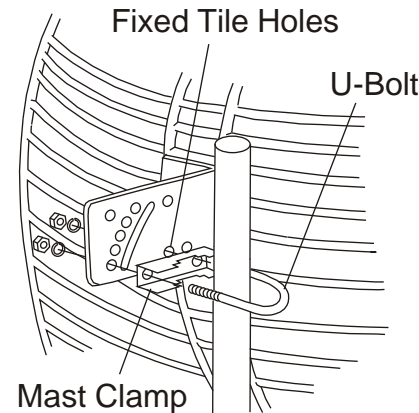
- Place the "L" bracket on the back of the antenna. Pull the coax through the antenna and the "L" bracket opening. Attach the feed on the front with 2 carriage bolts. Secure on the back with the lock washers and nuts. (Fig. 4)



Lock Washers & Nuts  
Figure 5

- Place the mast clamp on the U-bolt. (Fig. 6) Fasten the U-bolt on the "L" bracket with 2 lock washers and nuts. (Fig. 5)

Note: Fixed tilt holes provide elevation up to 60° in 10° increments. (Fig. 6) For precise elevation adjustment, use the flat washer on the adjustable slot to secure the antenna to the required elevation. (Fig. 7)



Mast Clamp  
Figure 6

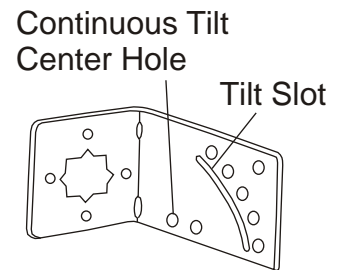


Figure 7